

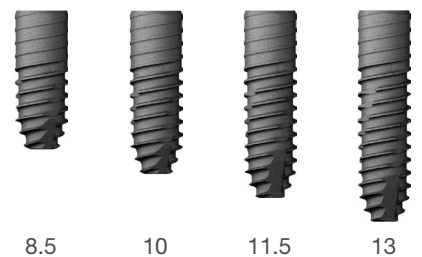


# TSIII Ø3.0 Implant

## Strong Mini Solution

Implant designed for safe use in extremely narrow bone, where previous two-piece implants are difficult to install

**OSSTEM**<sup>®</sup>  
IMPLANT



8.5

10

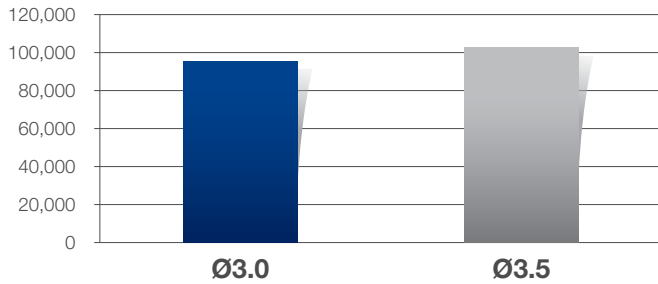
11.5

13

# Strong Mini Solution TSIII Ø3.0 Implant

## Smaller but stronger fatigue strength on fatigue life

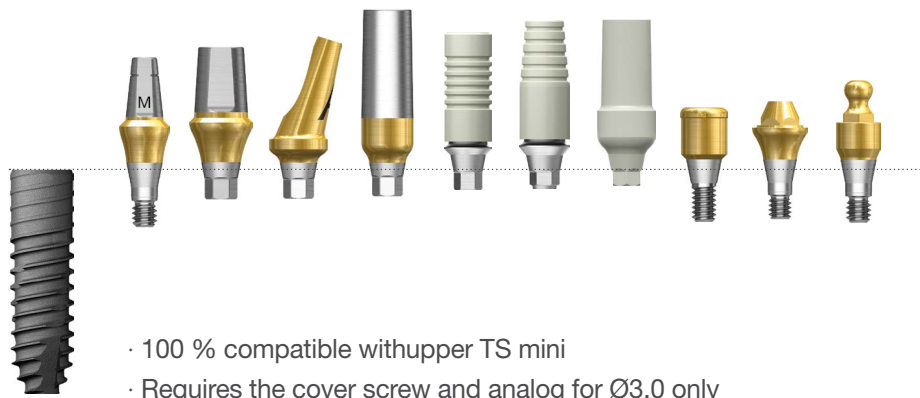
Fatigue life (cycle)



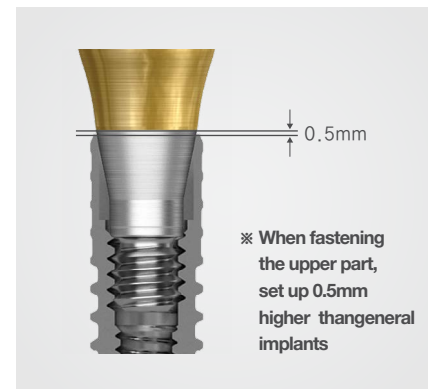
Fracture risk is reduced by reinforcing fatigue strength, to a level similar to that of Ø3.5 fixture

※ 5mm cantilever fatigue test (applied loading : 350Ncm)

## 100% compatible with upper TS mini



- 100 % compatible with upper TS mini
- Requires the cover screw and analog for Ø3.0 only



## Drilling Sequence & Spec.

### Drilling Sequence



Bone quality	Ø 2.2 drill	Ø 2.7 drill	F3.0 cortical drill	3.0 fixture
Soft	●			
Nomal	●	●		Implant placement
Hard	●	●	●	

### Spec.

