

MS SA $\varnothing 2.0$ Implant

OSSTEM[®]
IMPLANT

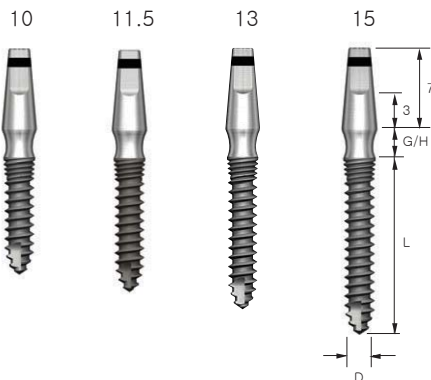
MS SA $\varnothing 2.0$



Narrow Ridge	Dia.	$\varnothing 2.0$	
	G/H	2.5	4.0
Length	8.5	MSN2008S25	MSN2008S40
	10	MSN2010S25	MSN2010S40
	11.5	MSN2011S25	MSN2011S40
	13	MSN2013S25	MSN2013S40

Denture	Dia.	$\varnothing 2.0$	
	G/H	2.0	4.0
Length	8.5	MSD2008S20	MSD2008S40
	10	MSD2010S20	MSD2010S40
	11.5	MSD2011S20	MSD2011S40
	13	MSD2013S20	MSD2013S40

MS Implant (Narrow ridge) $\varnothing 2.0$



MS Implant (Denture) $\varnothing 2.0$

